

Article datasheet

Spring Washer DIN137 A Ø2.8/5.0 x 0.3 Galvanized Spring Steel

Article-No.: 003.22.021

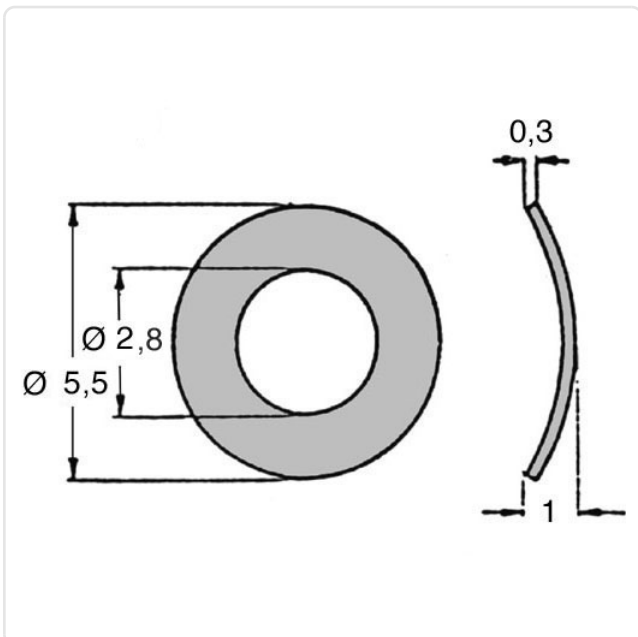


Image may be similar

DIN/ISO:	DIN137A
Finish:	Galvanized, Blue, 5 µm, A2K
For Thread Size:	M2.5
Height [mm]:	0.3
Inner Diameter [mm]:	2.8
Material:	Spring Steel
Material Group:	Stahl
Outer Diameter [mm]:	5
Weight:	0.04g
Conformities:	



You can find all information on the web on our article detail page



Would you like individual advice?

We look forward to your email to products@ettinger.de.

Subject to change and errors.