

Article datasheet

## OKW DESK CASE 200

Article-No.: 090.82.065

Manufacturer: OKW Gehäusesysteme

Manufacturer article-no.: A9082065

**OKW**  
GEHÄUSE  
SYSTEME

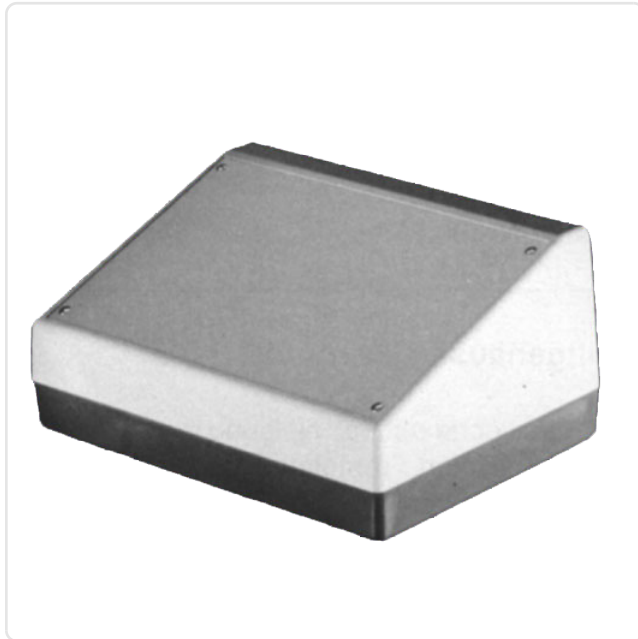
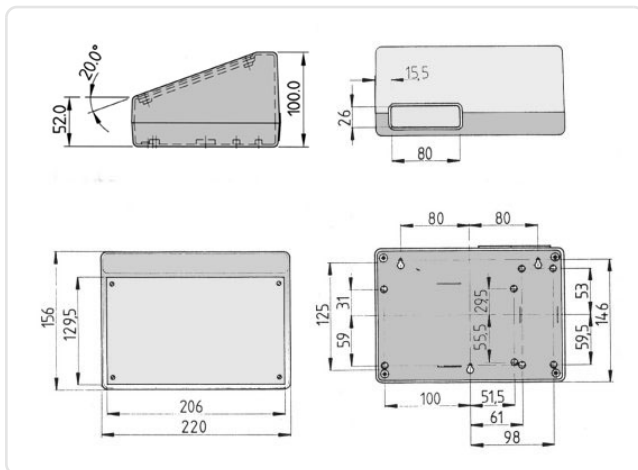


Image may be similar

Color: Gray  
Flammability Class: UL94-HB  
Height [mm]: 100  
Length [mm]: 156  
Material: ABS - Acrylonitrile Butadiene Styrene  
Material Group: Plastic  
Model: Desk Enclosure  
Width [mm]: 220  
Weight: 316g  
Conformities:



You can find all  
information on the web on  
our article detail page



Would you like individual advice?

We look forward to your email to [products@ettinger.de](mailto:products@ettinger.de).

Subject to change and errors.