

Article datasheet

Cap for Turning Knob \varnothing 20 mm

Article-No.: 041.20.008

Manufacturer: OKW Gehäusesysteme

Manufacturer article-no.: A41.20.008

OKW
GEHÄUSE
SYSTEME

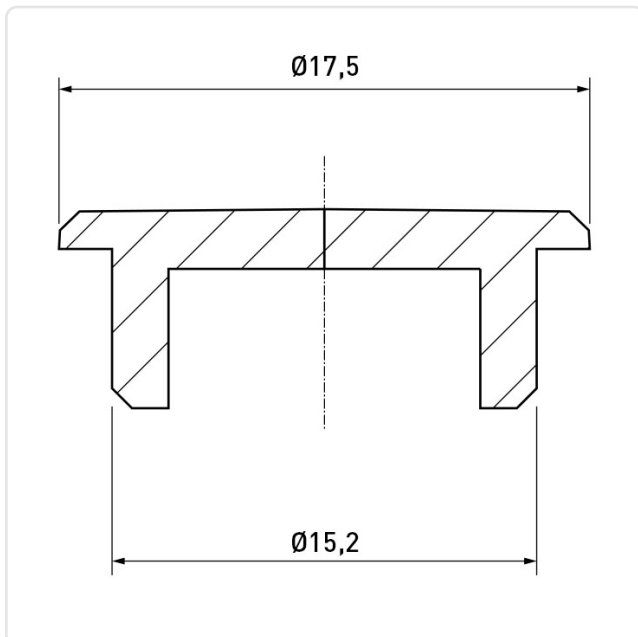


Image may be similar

Color: Gray
Material: ABS - Acrylonitrile Butadiene Styrene
Material Group: Plastic
Model: Cap for Combination Knob
Outer Diameter [mm]: 17.5
Weight: 0.37g
Conformities:



You can find all
information on the web on
our article detail page



Would you like individual advice?

We look forward to your email to products@ettinger.de.

Subject to change and errors.