

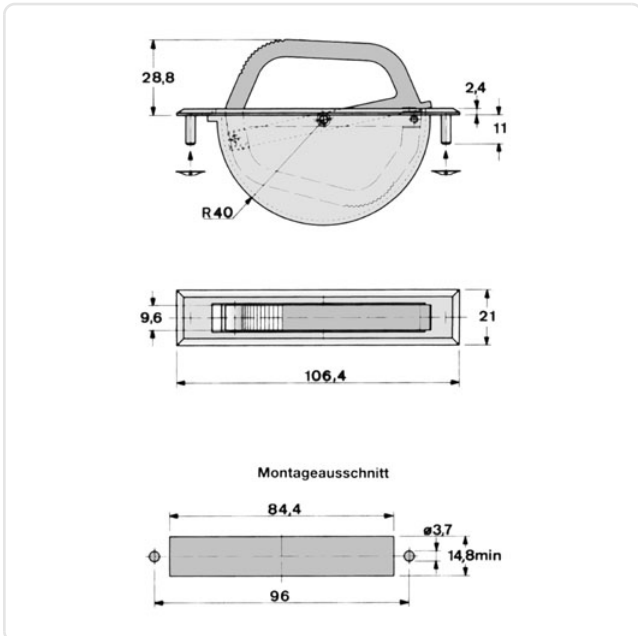
Article datasheet

Folding handle 106,4x21,0mm-black

Article-No.: 029.44.540



Image may be similar



Color: Black
Dist. Mounting Holes [mm]: 96
Height [mm]: 21
Material: PA 6.0 25% GF
Material Group: Plastic
Model: Carrying Handle
Width [mm]: 106.4
Weight: 33g
Conformities:



You can find all information on the web on our article detail page

Would you like individual advice?

We look forward to your email to products@ettinger.de.

Subject to change and errors.