

Article datasheet

Insulated end splice 0.75-1.5mm² Polyamid transparent UL-E106859

Article-No.: 018.72.216

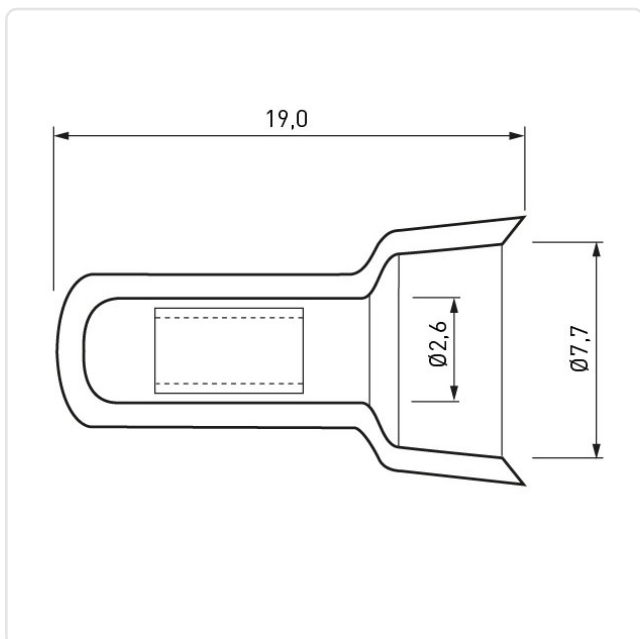


Image may be similar

Color:	Transparent
Finish:	Tin-Plated
Insulation:	Polyamide
Length [mm]:	19
Material:	Electrolytic Copper
Wire Cross Section [mm ²]:	0.75-1.5
Weight:	0.54g
Conformities:	



You can find all
information on the web on
our article detail page



Would you like individual advice?

We look forward to your email to products@ettinger.de.

Subject to change and errors.