

Article datasheet

Cable Gland EMV PG11 Brass nickel-plated with O-ring

Article-No.: 014.29.133

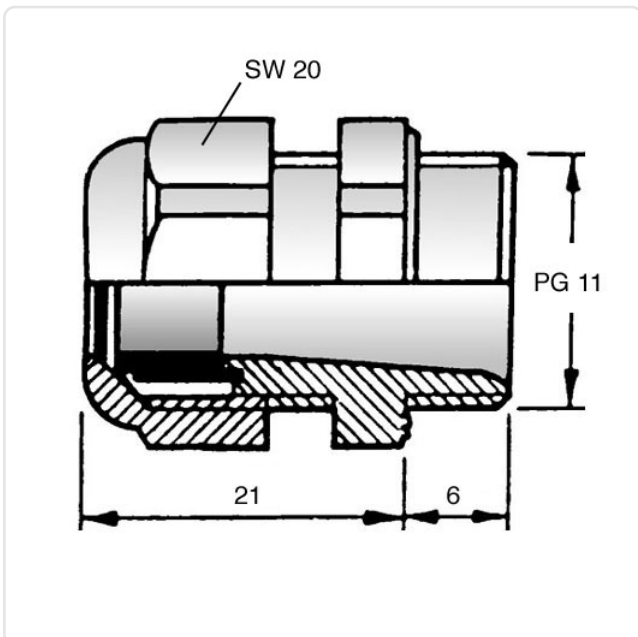


Image may be similar

AF / OD [mm]:	20
Material:	Brass
Material Group:	Brass
Mounting Hole [mm]:	19
Panel Thickness Range [mm]:	5.0-10.0
Protection Code:	IP68
Thread Size:	PG11
Weight:	23.75g
Conformities:	



You can find all information on the web on our article detail page



Would you like individual advice?

We look forward to your email to products@ettinger.de.

Subject to change and errors.