

Article datasheet

Rigth Angle Strain Relief Bushing / for Roundcables SR-20-2

Article-No.: 014.04.570

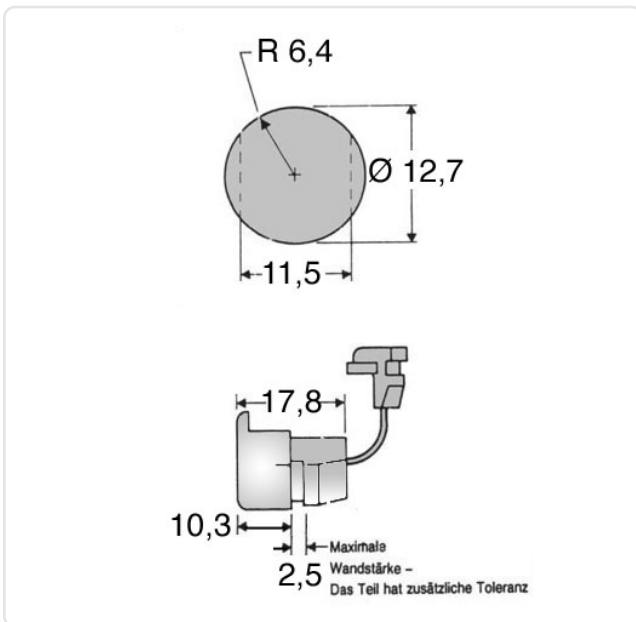


Image may be similar

Cable diameter [mm]:	Ø 3,0-7,6
Color:	Black
Material:	PA 6.6
Material Group:	Plastic
Mounting Hole [mm]:	12.7
Panel Thickness Range [mm]:	6.3-7.4
Panel Thickness [mm]:	2,5
Weight:	1.54g
Conformities:	



You can find all information on the web on our article detail page



Would you like individual advice?

We look forward to your email to products@ettinger.de.

Subject to change and errors.