

Article datasheet

## Cable terminal DIN 46211 A3.0x1.4 Brass tinned 0.5-1mm<sup>2</sup> AWG22-18

Article-No.: 018.01.131

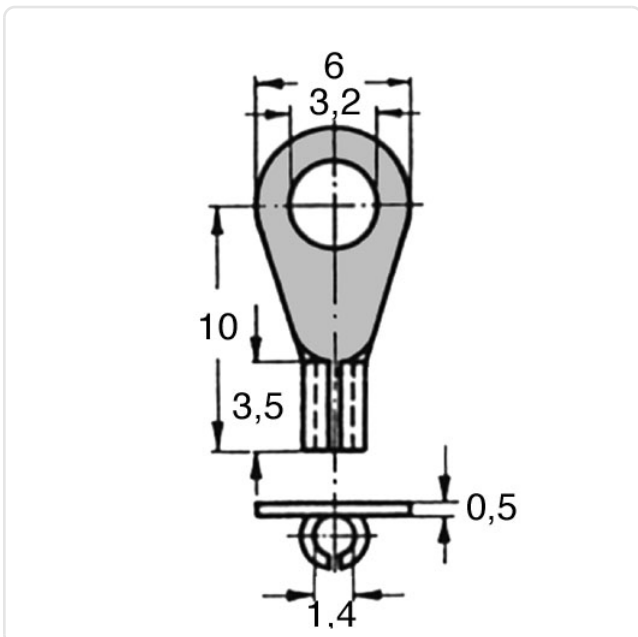


Image may be similar

Inside Dia.D1 [mm]: 1.4  
Material: Electrolytic Copper  
Outer Diameter [mm]: 6  
Wire Cross Section [mm<sup>2</sup>]: 0.5-1.0  
Weight: 0.24g  
Conformities:



You can find all information on the web on our article detail page



Would you like individual advice?

We look forward to your email to [products@ettinger.de](mailto:products@ettinger.de).

Subject to change and errors.