

Article datasheet

IEC Connector 10A/250V Flange Mount 6.3x0.8mm terminals

Article-No.: 039.61.160



Image may be similar

Amperage [A]: 10

Color: Black

Connections: 6.3x0.8

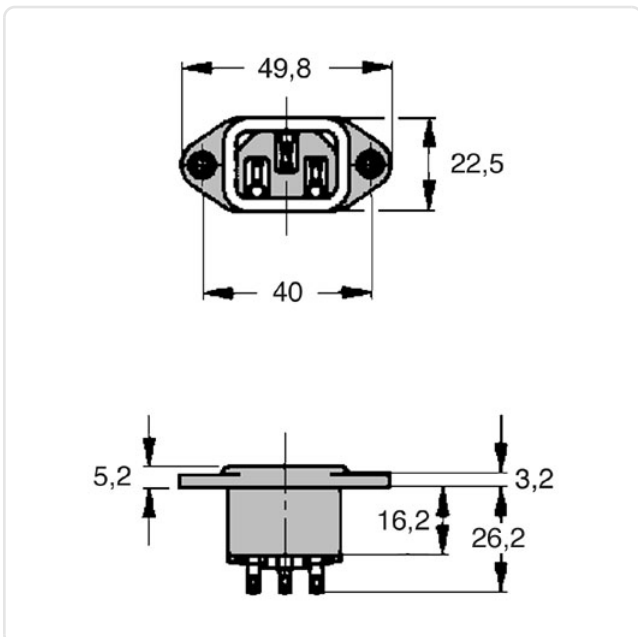
Model: Plug, Screw Mounting

Weight: 11.5g

Conformities:



You can find all
information on the web on
our article detail page



Would you like individual advice?

We look forward to your email to products@ettinger.de.

Subject to change and errors.