

Article datasheet

Fuse Holder 5x20mm 250V/16A IP40 PA6.6 UL94 V-0

Article-No.: 015.08.551

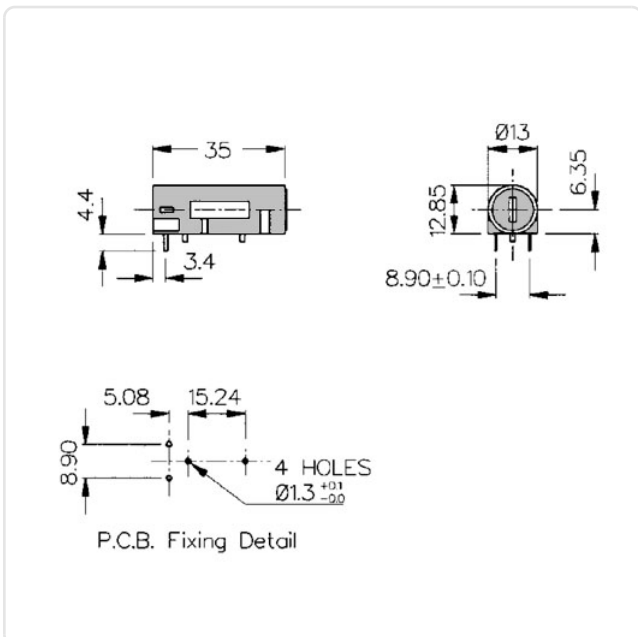


Image may be similar

Amperage [A]: 16
Fuse Size [mm]: 5.0x20.0
Material: PA 6.6
Model: Fuse Holder
Protection Code: IP40
Weight: 5.75g
Conformities:



You can find all
information on the web on
our article detail page



Would you like individual advice?

We look forward to your email to products@ettinger.de.

Subject to change and errors.