

Article datasheet

## Screw-On Bumper Ø21.0x12.0 CR black

Article-No.: 017.51.211

Manufacturer: SES-Sterling

Manufacturer article-no.: 0254-0022-010

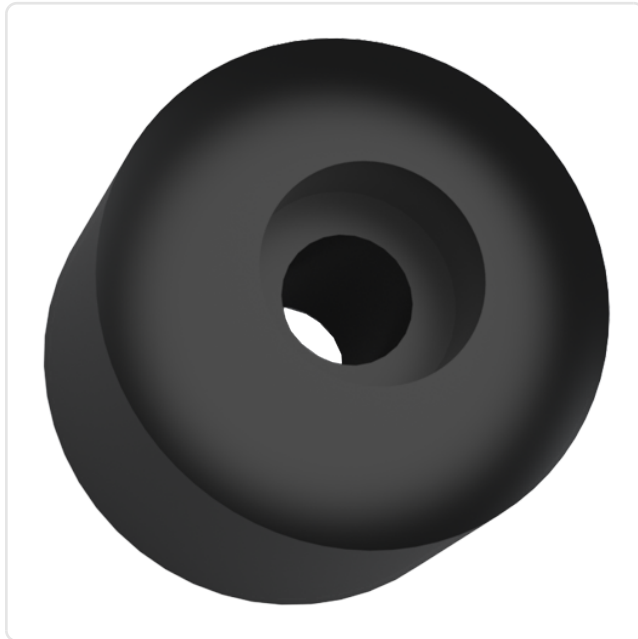
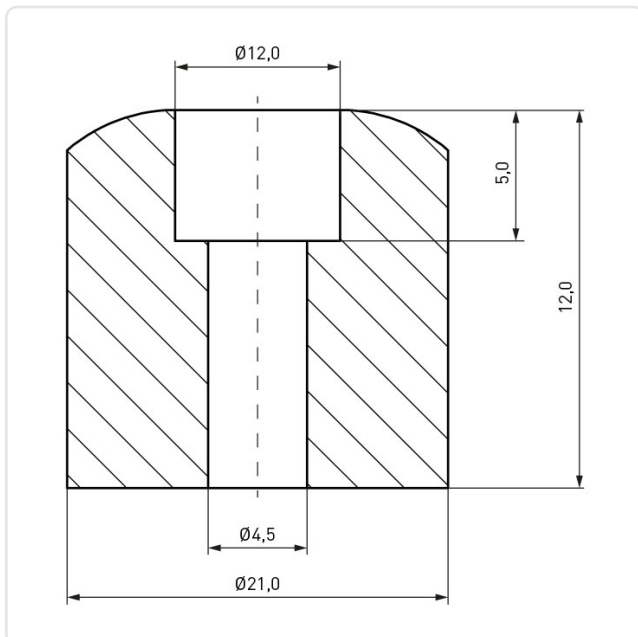


Image may be similar

Bumper Design: Round  
Color: Black  
Diameter [mm]: 21  
Height [mm]: 12  
Material: CR - Polychloroprene  
Mounting Hole [mm]: 4.5  
Weight: 4.81g  
Conformities:



You can find all  
information on the web on  
our article detail page



Would you like individual advice?

We look forward to your email to [products@ettinger.de](mailto:products@ettinger.de).

Subject to change and errors.