

Article datasheet

Weld Nut DIN928 M8 Plain Steel Square

Article-No.: 002.30.081

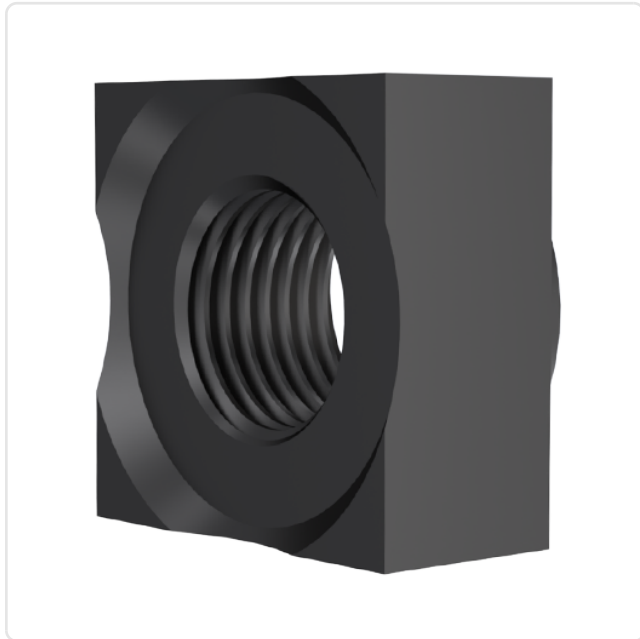
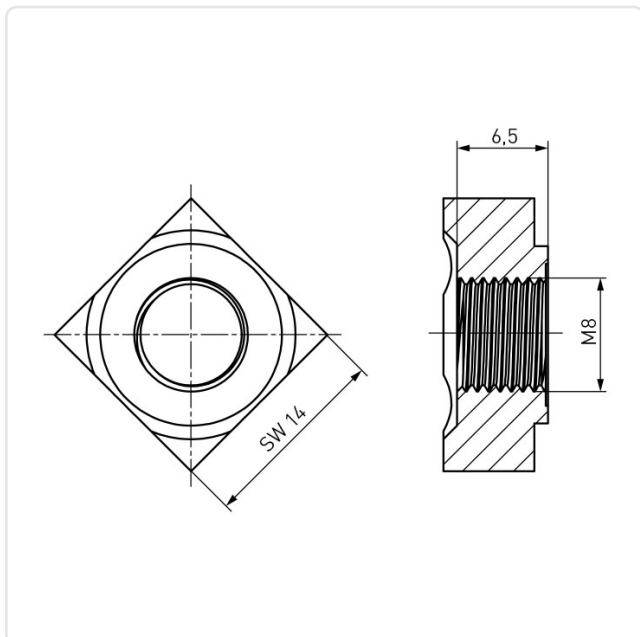


Image may be similar

AF / OD [mm]: 14
DIN/ISO: DIN928
Finish: Plain
Height [mm]: 6.5
Material: Steel
Thread Size: M8
Conformities:



You can find all
information on the web on
our article detail page



Would you like individual advice?

We look forward to your email to products@ettinger.de.

Subject to change and errors.