

Article datasheet

Cable Clamp One-Sided Fastening \varnothing 4.8 | Hole \varnothing 4.5 | A2 Stainless Steel

Article-No.: 014.51.759

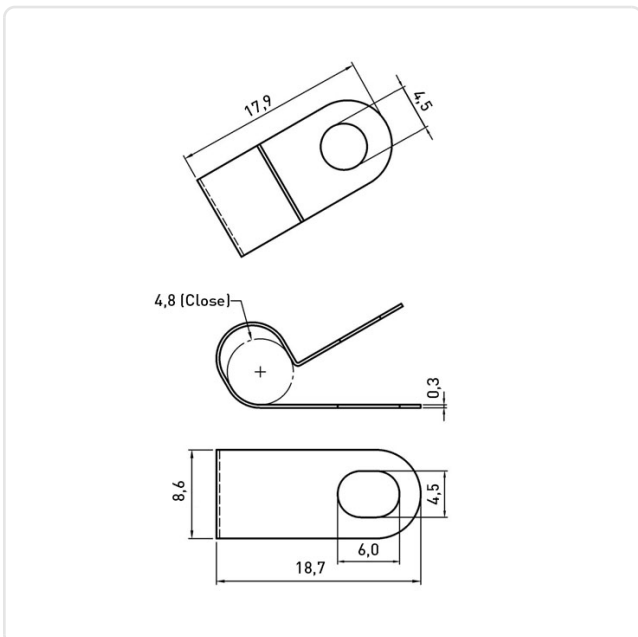


Image may be similar

Bundle Diameter [mm]:	4,8
Distance Middle/Middle [mm]:	11
Length [mm]:	18,7
Material:	Stainless Steel AISI 304 / A2
Mounting Hole [mm]:	4,5
Thickness [mm]:	0,3
Width [mm]:	8,6
Weight:	0,7g
Conformities:	



You can find all information on the web on our article detail page



Would you like individual advice?

We look forward to your email to products@ettinger.de.

Subject to change and errors.