

Article datasheet

PC Mount Screw Terminal M4 15A Brass tinned - without screw

Article-No.: 013.42.435

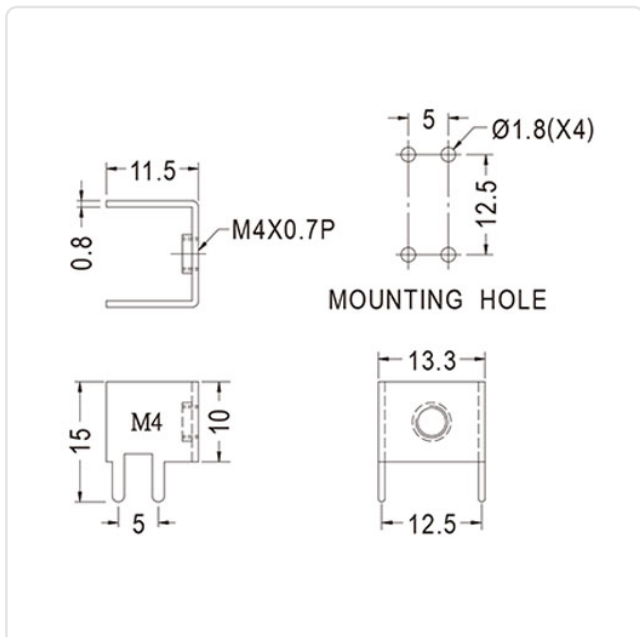


Image may be similar

Amperage [A]: 15
 Finish: Tin-Plated
 Material: Brass
 Material Group: Messing
 PCB Hole Ø [mm]: 1.8
 Thread Size: M4
 Weight: 2.44g
 Conformities:



You can find all information on the web on our article detail page



Would you like individual advice?

We look forward to your email to products@ettinger.de.

Subject to change and errors.