

Article datasheet

## Flat Caps for Tuning Knob $\varnothing$ 31 mm

Article-No.: 041.31.100

Manufacturer: OKW Gehäusesysteme

Manufacturer article-no.: A41.31.100

**OKW**  
GEHÄUSE  
SYSTEME

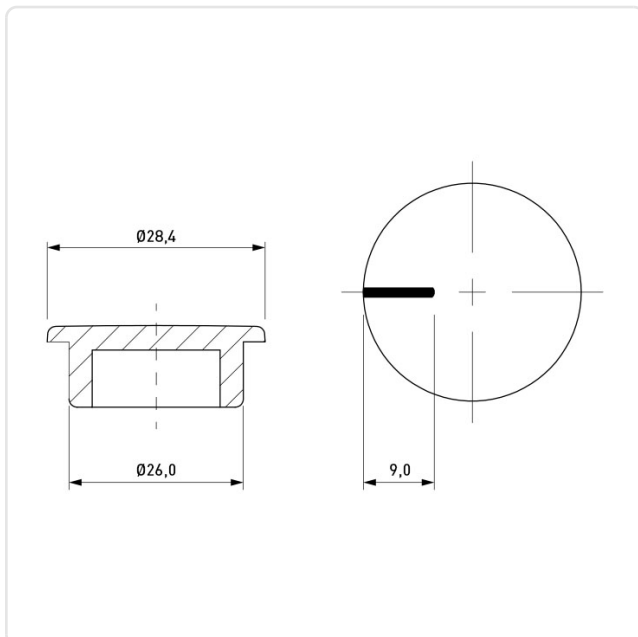


Image may be similar

Color: Black  
Marking: Line  
Material: ABS - Acrylonitrile Butadiene Styrene  
Material Group: Plastic  
Model: Cap for Combination Knob  
Outer Diameter [mm]: 28.4  
Weight: 1.1g  
Conformities:



You can find all  
information on the web on  
our article detail page



Would you like individual advice?

We look forward to your email to [products@ettinger.de](mailto:products@ettinger.de).

Subject to change and errors.