

Article datasheet

Battery Clamp for 1x "AA" Mignon Aluminium pure/clean

Article-No.: 015.89.128

Manufacturer: Keystone Electronics

Manufacturer article-no.: 91

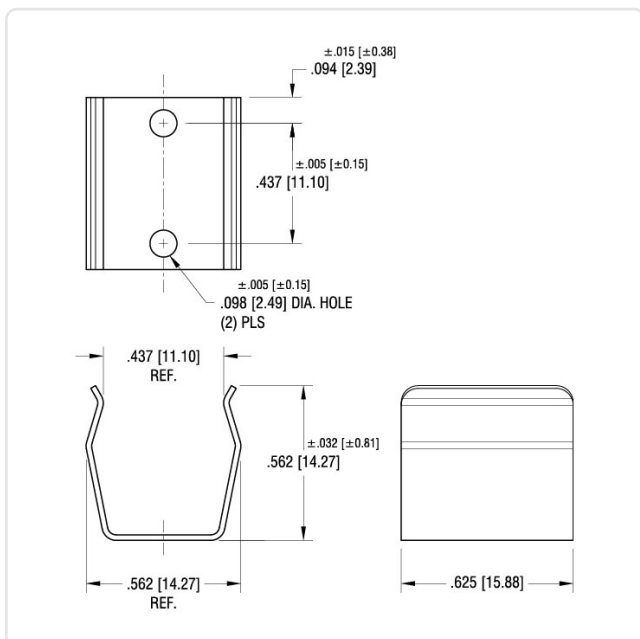


Image may be similar

Battery Type: AA-Mignon
 Finish: Plain
 Material: Aluminum ENAW-6060 / AlMgSi, lead-free
 Material Group: Aluminium
 Width [mm]: 15.9
 Weight: 0.86g
 Conformities:



You can find all information on the web on our article detail page



Would you like individual advice?

We look forward to your email to products@ettinger.de.

Subject to change and errors.