

Article datasheet

Combination Nut M8 A2 Plain SST Rotatable Washer

Article-No.: 002.09.128

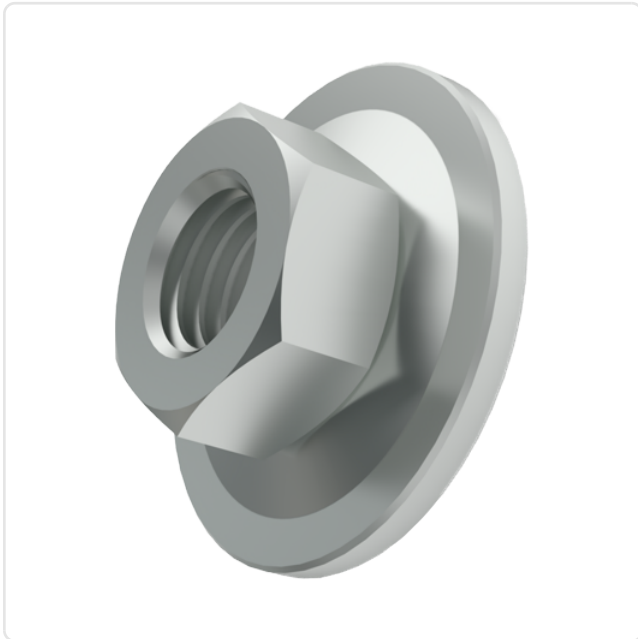


Image may be similar

AF / OD [mm]: 13
Finish: Plain
Height [mm]: 8.7
Material: Stainless Steel AISI 304 / A2
Material Group: Stainless Steel
Thread Size: M8
Conformities:



You can find all
information on the web on
our article detail page

Would you like individual advice?

We look forward to your email to products@ettinger.de.

Subject to change and errors.

