

Article datasheet

## Solderless Terminal DIN46234 M3 Copper tinned 0.1-0.5mm AWG26-22

Article-No.: 018.60.455

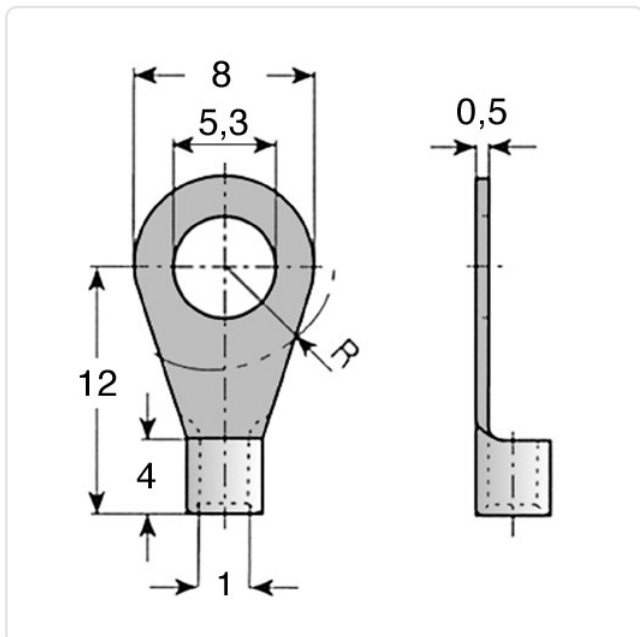


Image may be similar

DIN/ISO:	DIN46234-A
For Thread Size:	M5
Inside Dia.D1 [mm]:	1
Material:	Electrolytic Copper
Outer Diameter [mm]:	8
Wire Cross Section [mm <sup>2</sup> ]:	0.1-0.5
Weight:	0.27g
Conformities:	



You can find all information on the web on our article detail page



Would you like individual advice?

We look forward to your email to [products@ettinger.de](mailto:products@ettinger.de).

Subject to change and errors.