

Article datasheet

Press Nut M4 | SW7x3.2 A2 Plain Stainless Steel

Article-No.: 002.14.149

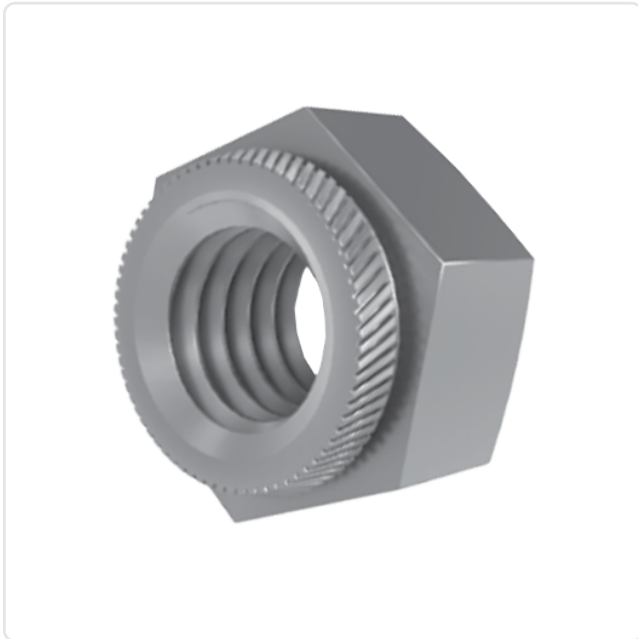





Image may be similar

AF / OD [mm]:	7
Finish:	Plain
Height [mm]:	3.2
Material:	Stainless Steel AISI 304 / A2
Material Group:	Stainless Steel
Panel Hole Ø [mm]:	5.5
Panel Thickness [mm]:	1
Thread Size:	M4
Weight:	0.75g
Conformities:	  



You can find all
information on the web on
our article detail page

Would you like individual advice?

We look forward to your email to products@ettinger.de.

Subject to change and errors.

