

Article datasheet

Test Point/Thru Hole Mount \varnothing 1.8mm Base PBT UL94V-0/Bronze,silver-pl.

Article-No.: 013.08.530

Manufacturer: Keystone Electronics

Manufacturer article-no.: 5011

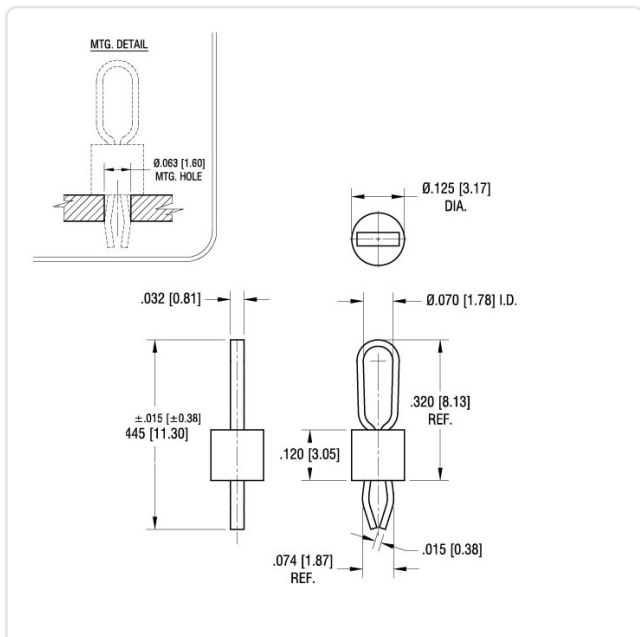


Image may be similar

Diameter [mm]: 3.18
 Finish: Tin-Plated
 Grid [mm]: 3.3
 Length [mm]: 11.3
 Material: PBT - Polybutylene Terephthalate
 Material Group: Plastic
 PCB Hole \varnothing [mm]: 1.6
 Weight: 0.09g
 Conformities:



You can find all information on the web on our article detail page



Would you like individual advice?

We look forward to your email to products@ettinger.de.

Subject to change and errors.