

Article datasheet

Thread Insert M2.5 | 4.8 Plain Brass

Article-No.: 002.19.265

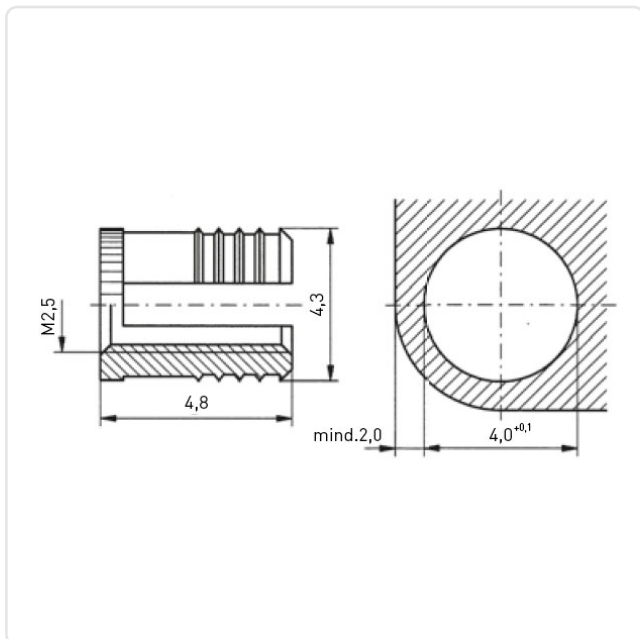


Image may be similar

Finish:	Plain
Length [mm]:	4.8
Material:	Brass
Minimum Edge Distance [mm]:	2.0
Panel Hole Ø [mm]:	4
Thread Size:	M2.5
Weight:	0.28g
Conformities:	



You can find all
information on the web on
our article detail page



Would you like individual advice?

We look forward to your email to products@ettinger.de.

Subject to change and errors.