

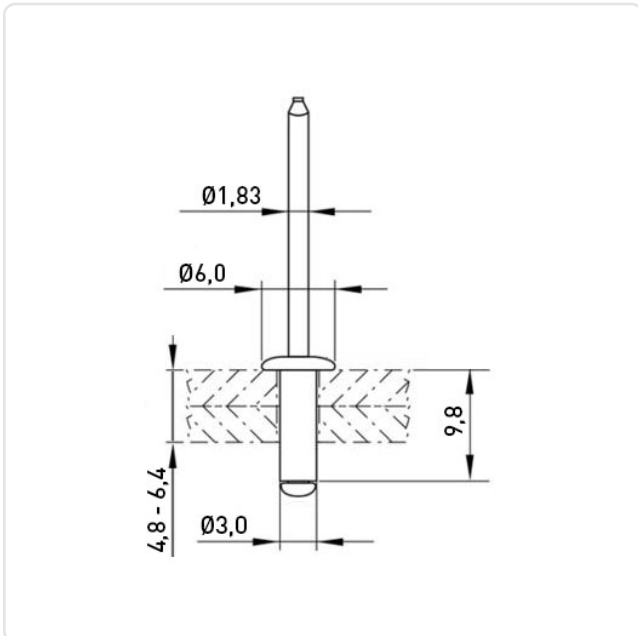
Article datasheet

Blind Rivet Ø3.0x9.8 Aluminum Shell / Aluminum Mandrel

Article-No.: 001.08.368



Image may be similar



Finish:	Plain
Head Diameter [mm]:	6
Length [mm]:	9.8
Mandrel Diameter [mm]:	1.8
Material:	Aluminum Shell / Aluminum Mandrel
Mounting Hole [mm]:	3.1
Panel Thickness [mm]:	4,8-6,4
Rivet Diameter [mm]:	3
Weight:	0.45g
Conformities:	



You can find all information on the web on our article detail page

Would you like individual advice?

We look forward to your email to products@ettinger.de.

Subject to change and errors.