

Article datasheet

Flanged Slide Bearing $\varnothing 5.0/8.0$ mm Polyamid 6.6 natural UL94-V2

Article-No.: 005.99.056

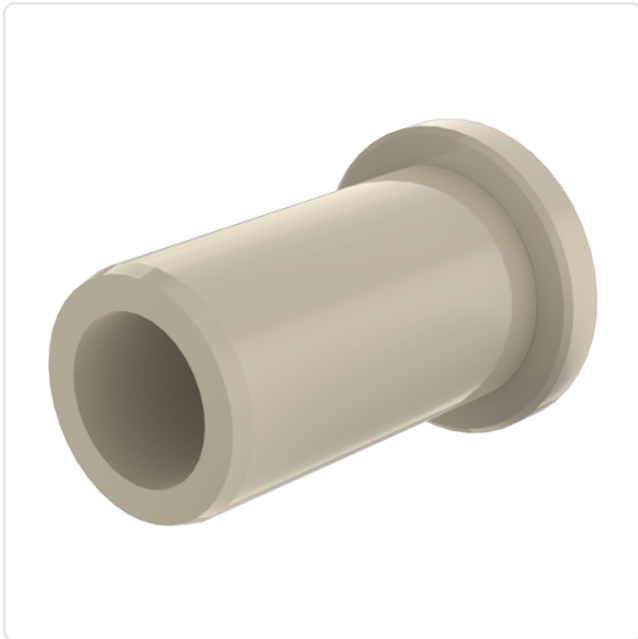


Image may be similar

Color: Natural
Flammability Class: UL94-V2
Inner Diameter [mm]: 5
Length [mm]: 10
Lug Diameter [mm]: 8
Material: PA 6.6
Material Group: Plastic
Model: With High Lug
Outer Diameter [mm]: 11
Weight: 0.45g
Conformities:



You can find all
information on the web on
our article detail page

Would you like individual advice?

We look forward to your email to products@ettinger.de.

Subject to change and errors.

