

Article datasheet

Edge Wire Saddle "U" shaped panel Polyamid 6.6 natural UL94-V2 E70062

Article-No.: 072.78.958

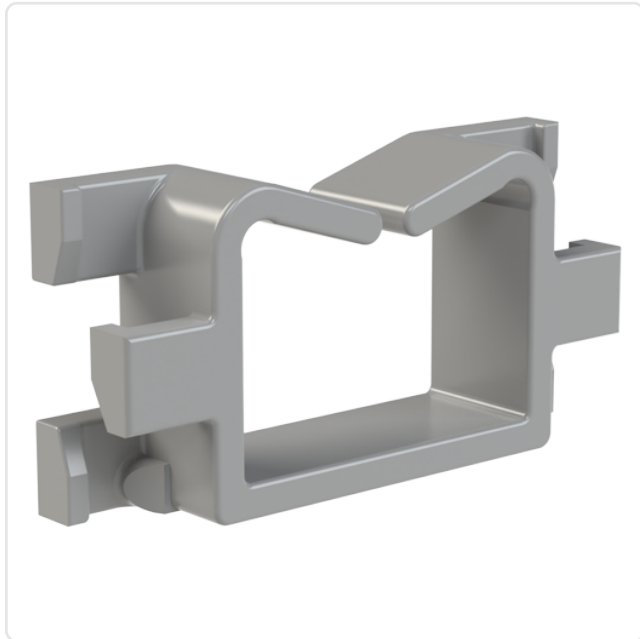
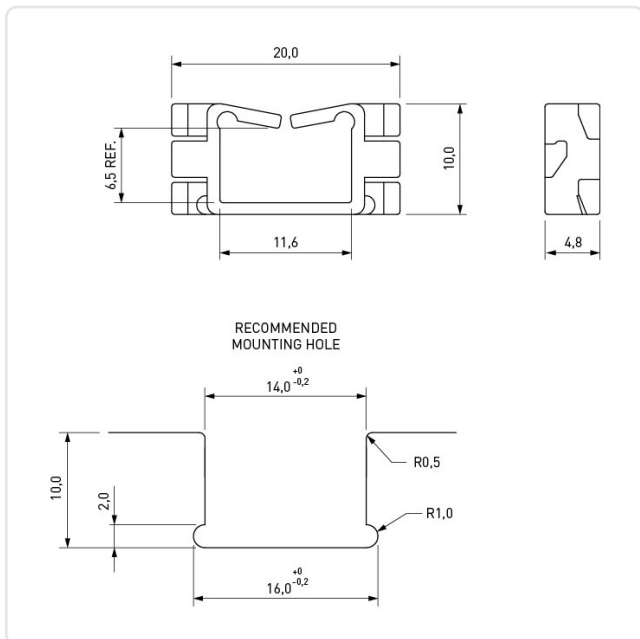


Image may be similar

Bundle Diameter [mm]: 9,0-10,0
 Color: Gray
 Height [mm]: 10
 Material: PA 6.6
 Panel Thickness [mm]: 1,6-2,0 mm
 Width [mm]: 20
 Weight: 0.36g
 Conformities:



You can find all information on the web on our article detail page



Would you like individual advice?
 We look forward to your email to products@ettinger.de.

Subject to change and errors.