

Article datasheet

Hole Grommet 8.0/10.0-1.5mm PVC black

Article-No.: 014.60.845

Manufacturer: SES-Sterling

Manufacturer article-no.: 0132 0095 010

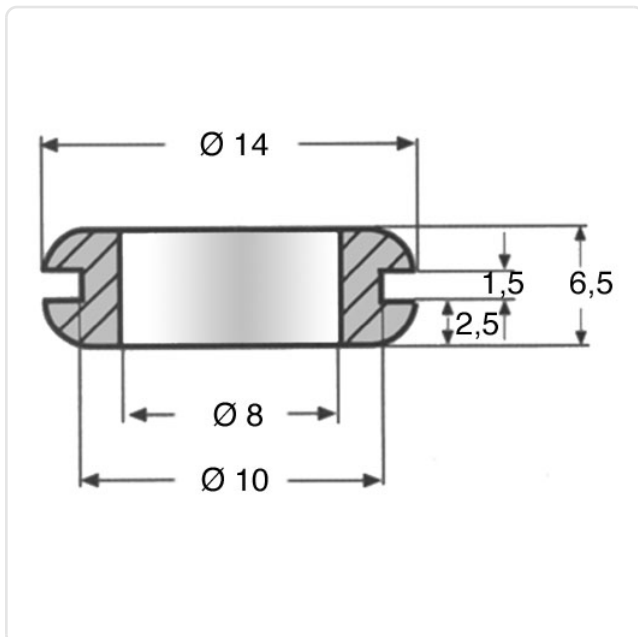


Image may be similar

Color: Black
Inner Diameter [mm]: 8
Material: PVC - Polyvinyl Chloride
Material Group: Plastic
Max. Panel Thickness [mm]: 1.5
Mounting Hole [mm]: 10
Weight: 0.67g
Conformities:



You can find all information on the web on our article detail page



Would you like individual advice?

We look forward to your email to products@ettinger.de.

Subject to change and errors.