

Article datasheet

Card Guide for 1/16" PCB Polyamid 66 natural UL94-V2

Article-No.: 075.14.120

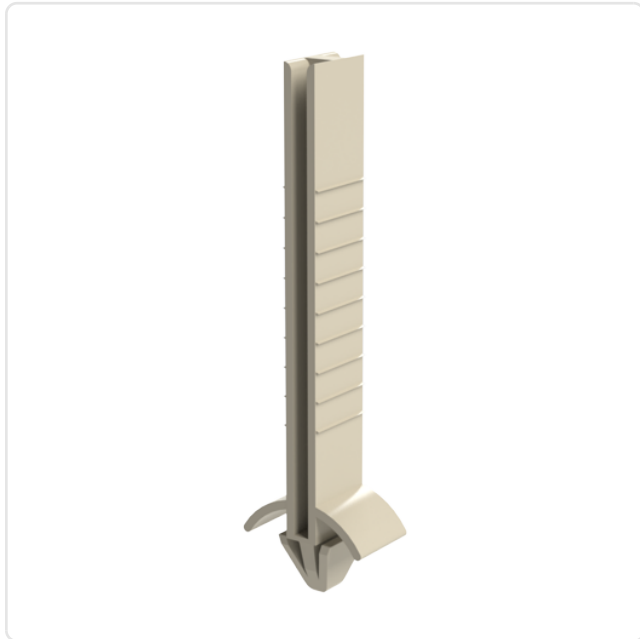
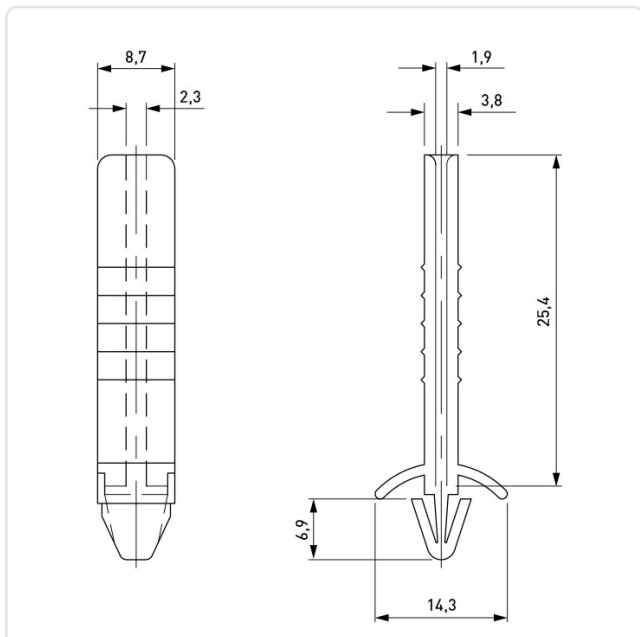


Image may be similar

Color: Natural
Flammability Class: UL94-V2
Length [mm]: 25.4
Material: PA 6.6
Material Group: Plastic
Model: Plug-In Foot
Width [mm]: 8.7
Weight: 0.97g
Conformities:



You can find all information on the web on our article detail page



Would you like individual advice?

We look forward to your email to products@ettinger.de.

Subject to change and errors.