

Article datasheet

## Blade Terminal 6.3x0.8 | 1.5-2.5 mm<sup>2</sup> Tin-Plated Brass Polyamide blue

Article-No.: 012.68.226

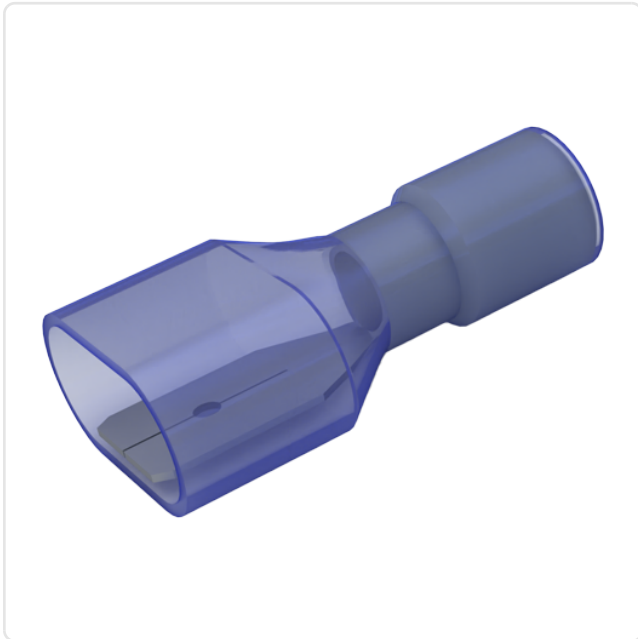


Image may be similar

Bending Angle [°]:	0
Color:	Blue
Finish:	Tin-Plated
Insulation:	Polyamide
Material:	Brass
Material Group:	Brass
Plug-In Length [mm]:	8
Size [mm]:	6.3x0.8
Tabs:	1
Wire Cross Section [mm <sup>2</sup> ]:	1.5-2.5
Weight:	1.28g
Conformities:	



You can find all information on the web on our article detail page

Would you like individual advice?

We look forward to your email to [products@ettinger.de](mailto:products@ettinger.de).

Subject to change and errors.

