

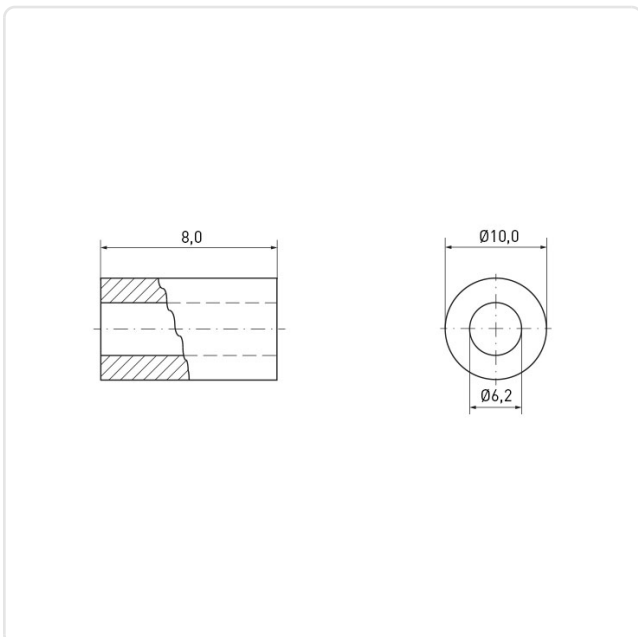
Article datasheet

Round Spacer $\varnothing 6.2/10.0 \times 8.0$ Polystyrene natural

Article-No.: 005.86.086



Image may be similar



Color: Natural
Flammability Class: UL94-HB
For Thread Size: M6
Inner Diameter [mm]: 6.2
Length [mm]: 8
Material: PS - Polystyrene
Material Group: Plastic
Outer Diameter [mm]: 10
Weight: 0.4g
Conformities:



You can find all
information on the web on
our article detail page

Would you like individual advice?

We look forward to your email to products@ettinger.de.

Subject to change and errors.