

Article datasheet

Receptacle Fast On 6.3x0.8mm 1.5-2.5mm² Brass tinned DIN 46346 A6.3-2.5

Article-No.: 012.68.845

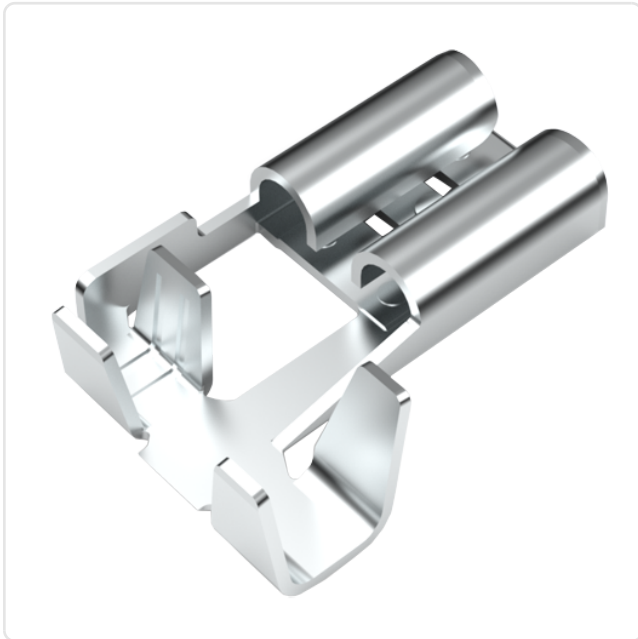
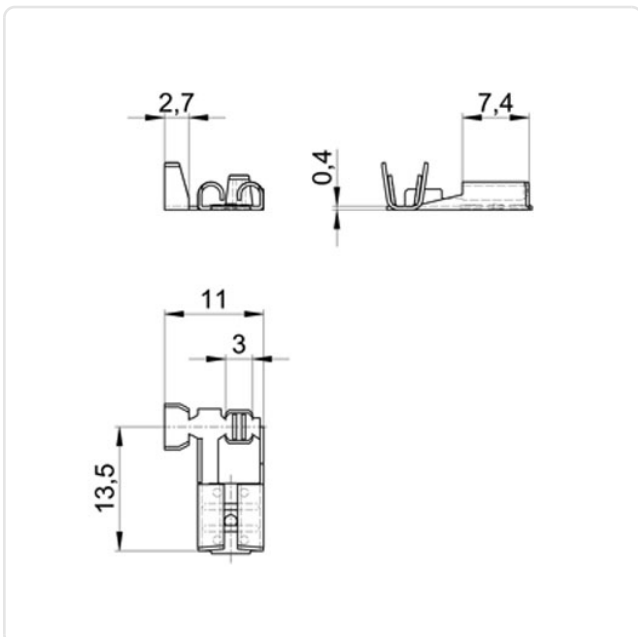


Image may be similar

DIN/ISO:	DIN46346A
Finish:	Tin-Plated
Length [mm]:	13.5
Material:	Brass
Material Group:	Brass
Size [mm]:	6.3x0.8
Wire Cross Section [mm ²]:	1.0-2.5
Weight:	0.82g
Conformities:	



You can find all information on the web on our article detail page



Would you like individual advice?

We look forward to your email to products@ettinger.de.

Subject to change and errors.