

Article datasheet

## Blade Terminal 6.3x0.8 | 19.0 Nickel-Plated Steel

Article-No.: 019.68.740

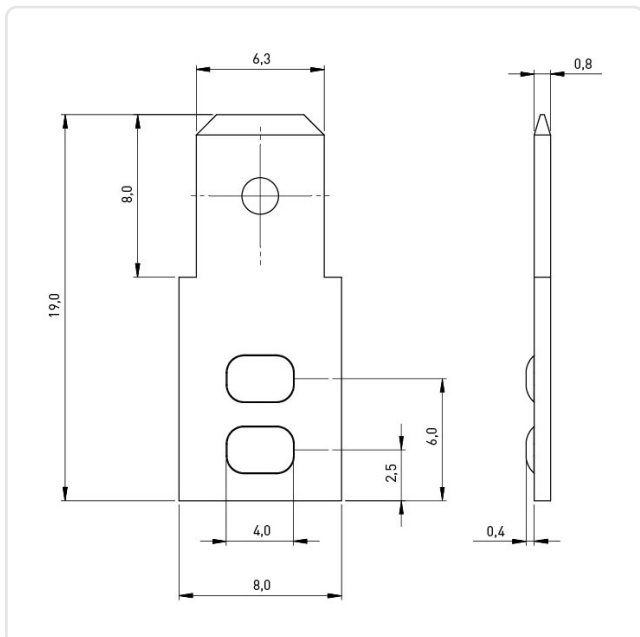


Image may be similar

|                      |                          |
|----------------------|--------------------------|
| Bending Angle [°]:   | 0                        |
| Finish:              | Nickel-Plated, 3 µm, E1E |
| Material:            | Steel                    |
| Material Group:      | Steel                    |
| Plug-In Length [mm]: | 8                        |
| Size [mm]:           | 6.3x0.8                  |
| Tabs:                | 1                        |
| Weight:              | 0.86g                    |
| Conformities:        |                          |



You can find all information on the web on our article detail page



Would you like individual advice?

We look forward to your email to [products@ettinger.de](mailto:products@ettinger.de).

Subject to change and errors.