

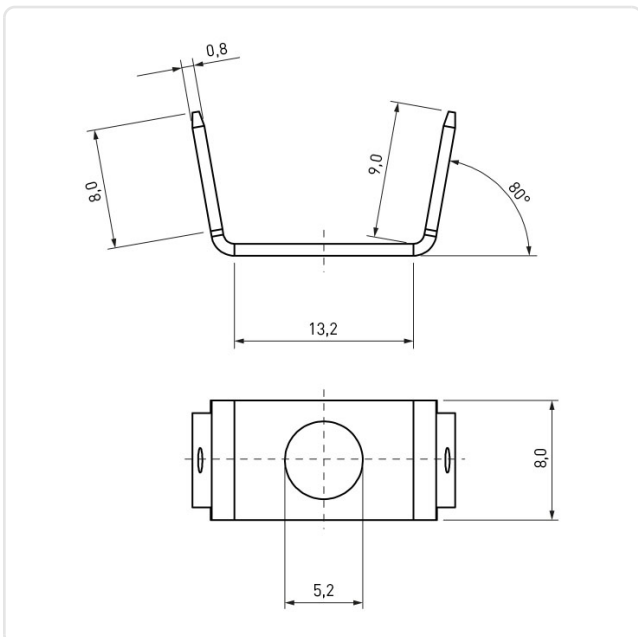
Article datasheet

Blade Terminal 2x 6.3x0.8 | 80° | ø5.2 Tin-Plated Brass

Article-No.: 019.68.851



Image may be similar



Bending Angle [°]:	80
Finish:	Tin-Plated
Material:	Brass
Material Group:	Messing
Mounting Hole [mm]:	5.2
Plug-In Length [mm]:	8
Size [mm]:	6.3x0.8
Tabs:	2
Weight:	1.3g
Conformities:	



You can find all
information on the web on
our article detail page

Would you like individual advice?

We look forward to your email to products@ettinger.de.

Subject to change and errors.