

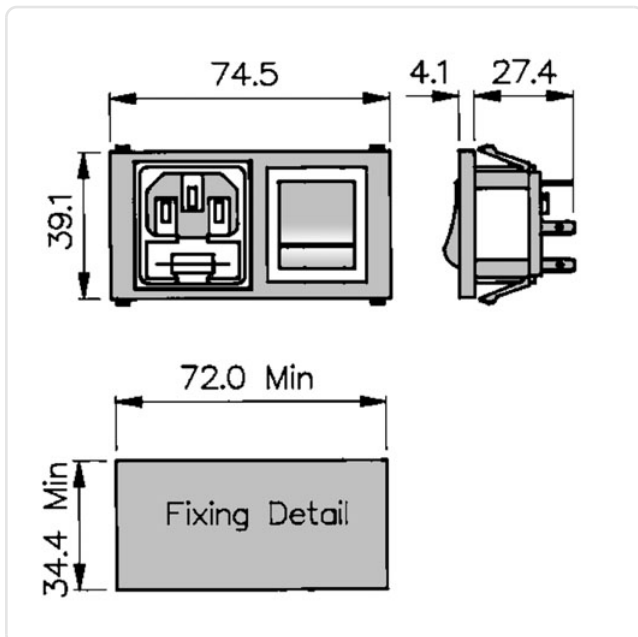
Article datasheet

IEC Power Inlet/Fuseholder/Switch Snap-in mounting/6.3x0.8mm terminal

Article-No.: 044.30.021



Image may be similar



Amperage [A]: 10

Color: Black

Connections: 6.3x0.8

Model: Plug, Snap-In Mounting

Weight: 42.5g

Conformities:



You can find all information on the web on our article detail page

Would you like individual advice?

We look forward to your email to products@ettinger.de.

Subject to change and errors.