

Article datasheet

Switch Illuminated Vandal Resistant Dot Illuminated, S.P. Push to Make

Article-No.: 011.12.365

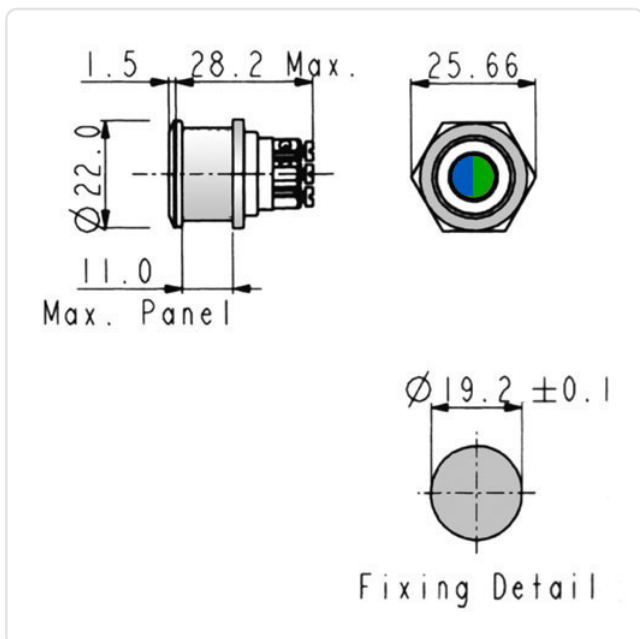


Image may be similar

Contact Plating:	Gold-plated
Diameter [mm]:	22
Material:	Stainless Steel AISI 316 / A4
Material Group:	Stainless Steel
Model:	Dot Illumination
Mounting Hole [mm]:	19.2
Protection Code:	IP66
Conformities:	



You can find all
information on the web on
our article detail page



Would you like individual advice?

We look forward to your email to products@ettinger.de.

Subject to change and errors.