

Article datasheet

## Eyelet Terminal $\varnothing 2.5/5.0 \times 20\text{mm}$ 90° Brass pure

Article-No.: 019.06.220

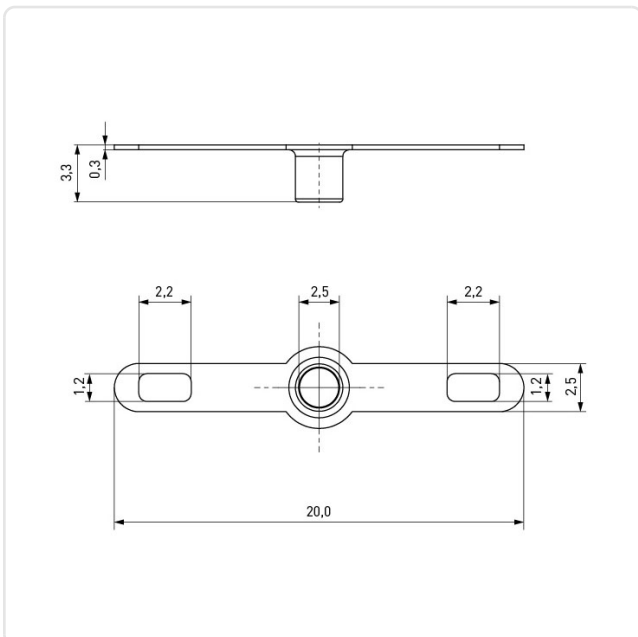


Image may be similar

Bending Angle [°]: 90  
Finish: Plain  
Inner Diameter [mm]: 2.5  
Length [mm]: 20  
Material: Brass  
Outer Diameter [mm]: 5  
Weight: 0.1g  
Conformities:



You can find all  
information on the web on  
our article detail page



Would you like individual advice?

We look forward to your email to [products@ettinger.de](mailto:products@ettinger.de).

Subject to change and errors.