

Article datasheet

## Hole Grommet 6.0/9.0-1.0mm TPE black

Article-No.: 014.80.524

Manufacturer: SES-Sterling

Manufacturer article-no.: 0145 0019 010

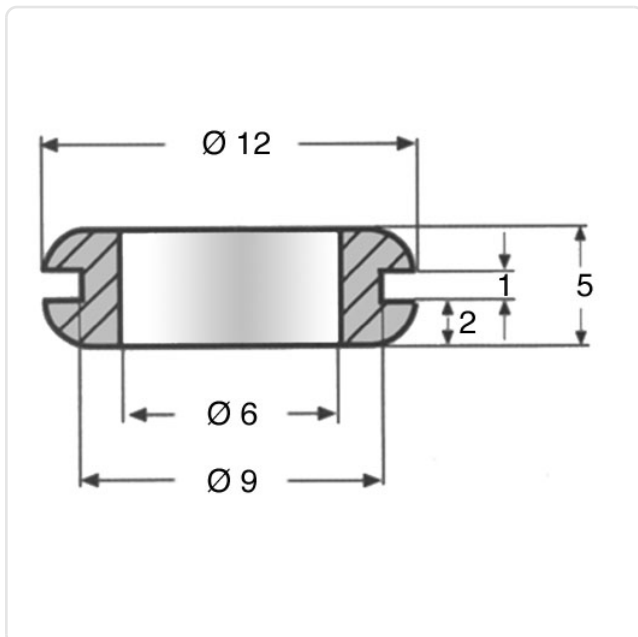


Image may be similar

Color:	Black
Inner Diameter [mm]:	6
Material:	TPR - Thermoplastic Elastomer
Material Group:	Plastic
Max. Panel Thickness [mm]:	1
Mounting Hole [mm]:	9
Weight:	0.38g
Conformities:	



You can find all information on the web on our article detail page



Would you like individual advice?

We look forward to your email to [products@ettinger.de](mailto:products@ettinger.de).

Subject to change and errors.