

Article datasheet

Tapping Screw DIN7981 Ø2.9x9.5 Plain Steel A2 Cross Recess Pan Head

Article-No.: 001.27.149

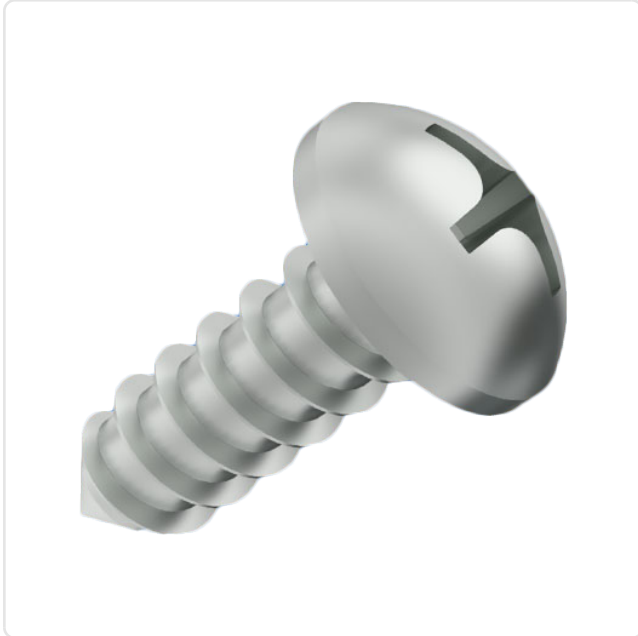
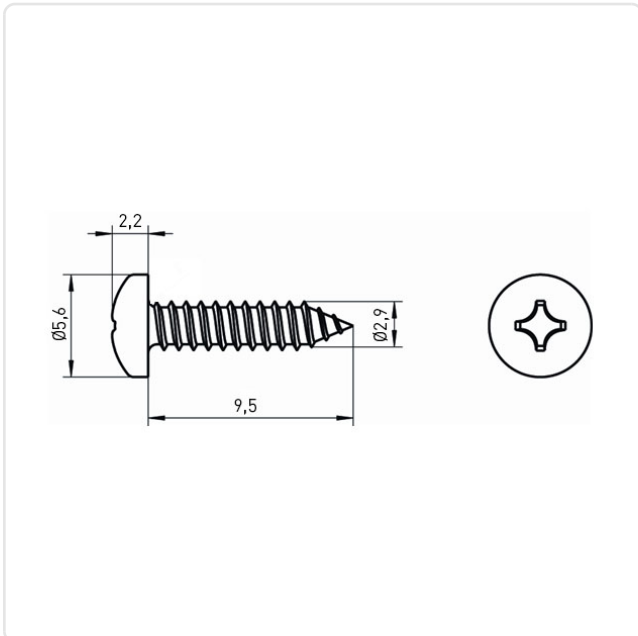


Image may be similar

Actuator Size:	Phillips PH1
DIN/ISO:	DIN7981 / ISO7049
Drive Type:	Cross Recess / Phillips-H
Finish:	Plain
Head Diameter [mm]:	5.6
Head Height [mm]:	2.2
Head Shape:	Pan Head
Length [mm]:	9.5
Material:	Stainless Steel AISI 304 / A2
Material Group:	Stainless Steel
Thread Diameter [mm]:	Ø 2.9
Weight:	0.53g
Conformities:	



You can find all
information on the web on
our article detail page

Would you like individual advice?

We look forward to your email to products@ettinger.de.

Subject to change and errors.