

Article datasheet

Battery Holder for 9V cell Steel nickel-plated

Article-No.: 015.89.433

Manufacturer: Keystone Electronics

Manufacturer article-no.: 79

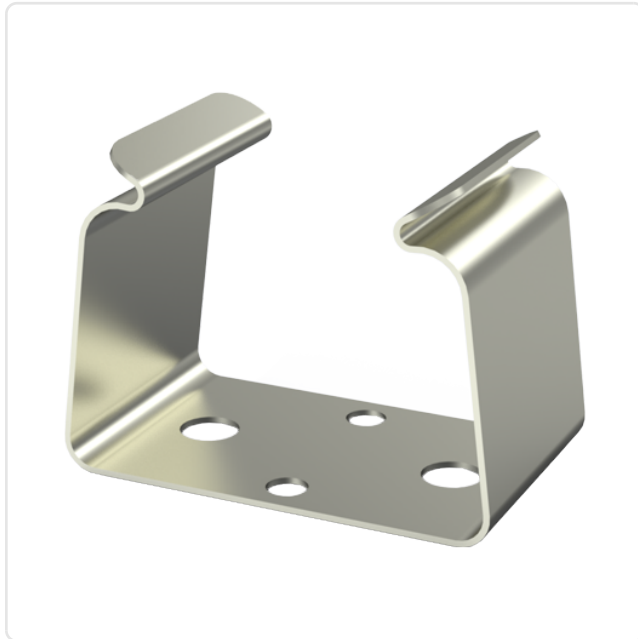
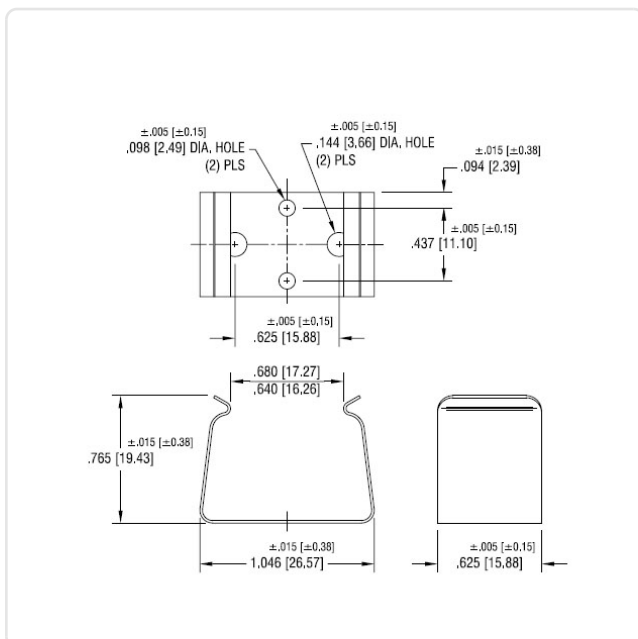


Image may be similar

Battery Type: 9V-Block
 Finish: Nickel-Plated, 3 µm, E1E
 Material: Spring Steel
 Material Group: Steel
 Width [mm]: 26.7
 Weight: 3.3g
 Conformities:



You can find all information on the web on our article detail page



Would you like individual advice?

We look forward to your email to products@ettinger.de.

Subject to change and errors.