

Article datasheet

Captive Screw UNC4-40x11.9 Cheese Head A4 Plain Stainless Steel Slotted

Article-No.: 001.84.469

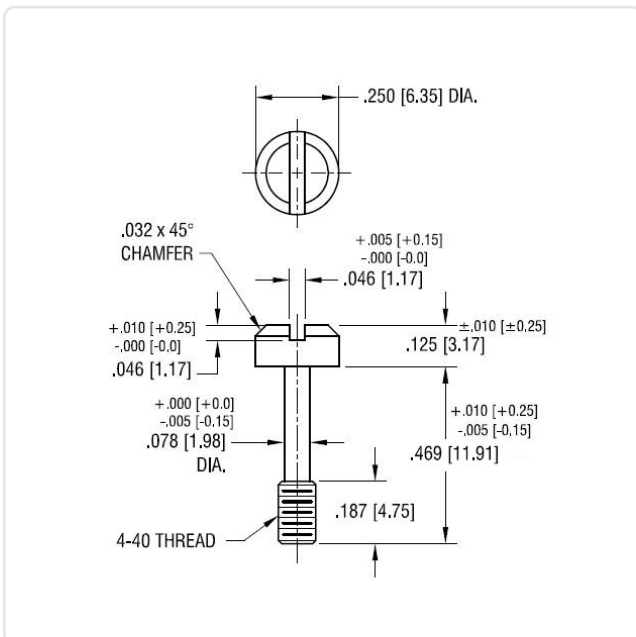
Manufacturer: Keystone Electronics

Manufacturer article-no.: 2413



Drive Type:	Slotted
Finish:	Plain
Head Diameter [mm]:	6.4
Head Height [mm]:	3.17
Head Shape:	Cheese Head
Length [mm]:	11.9
Material:	Stainless Steel AISI 316 / A4
Material Group:	Stainless Steel
Reduced Shank Length [mm]:	7.1
Thread Size:	UNC4-40
Weight:	4.92g
Conformities:	<div style="display: flex; gap: 10px;"> <div style="border: 1px solid green; padding: 2px; text-align: center; color: green; font-size: 8px;">Reach COMPLIANT</div> <div style="border: 1px solid green; padding: 2px; text-align: center; color: green; font-size: 8px;">RoHS COMPLIANT</div> <div style="border: 1px solid green; padding: 2px; text-align: center; color: green; font-size: 8px;">SVHC COMPLIANT</div> </div>

Image may be similar



You can find all information on the web on our article detail page

Would you like individual advice?

We look forward to your email to products@ettinger.de.

Subject to change and errors.