

Article datasheet

Fuseholder 5x20mm/10A-50V IP66 Polybutene clear UL94-HB

Article-No.: 015.06.561

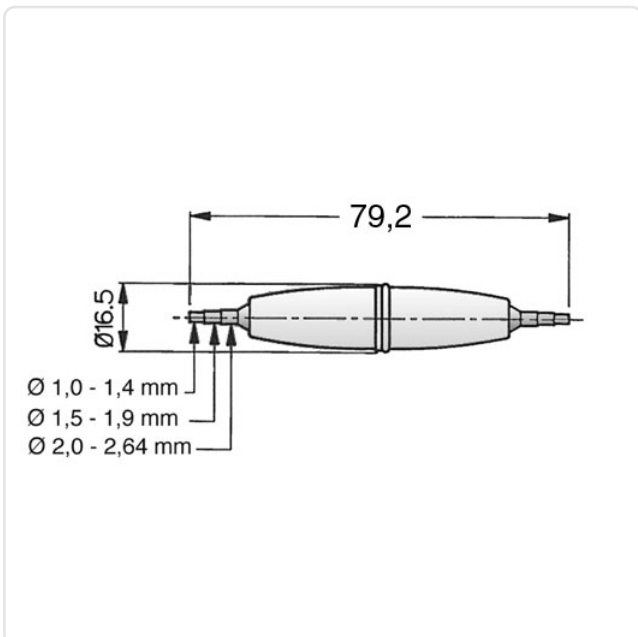


Image may be similar

Amperage [A]: 10
Fuse Size [mm]: 5.0x20.0
Material: PB - Polybutene
Model: Cable Fuse Holder
Protection Code: PC1
Weight: 7.6g
Conformities:



You can find all
information on the web on
our article detail page



Would you like individual advice?

We look forward to your email to products@ettinger.de.

Subject to change and errors.