

Article datasheet

Lock Washer $\text{\O}2.7/4.8 \times 0.5$ Galvanized Spring Steel

Article-No.: 003.04.021

Manufacturer: SCHNORR

Manufacturer article-no.: 450200

SCHNORR
DISC SPRING ENGINEERING

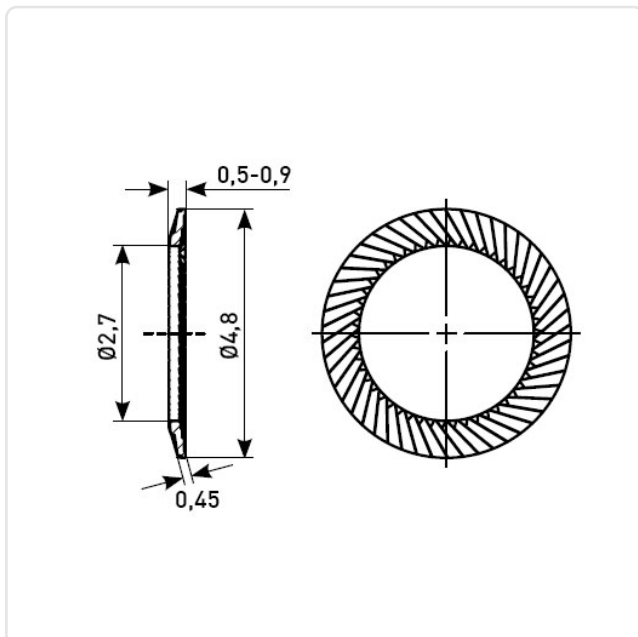


Image may be similar

Finish: Galvanized, Blue, 5 μm , A2K
For Thread Size: M2.5
Height [mm]: 0.45
Inner Diameter [mm]: 2.7
Material: Spring Steel
Material Group: Stahl
Outer Diameter [mm]: 4.8
Weight: 0.04g
Conformities:



You can find all
information on the web on
our article detail page



Would you like individual advice?

We look forward to your email to products@ettinger.de.

Subject to change and errors.