

Article datasheet

IEC Power Inlet/Switch green/2x5x20 Snap-In Mounting

Article-No.: 044.30.526

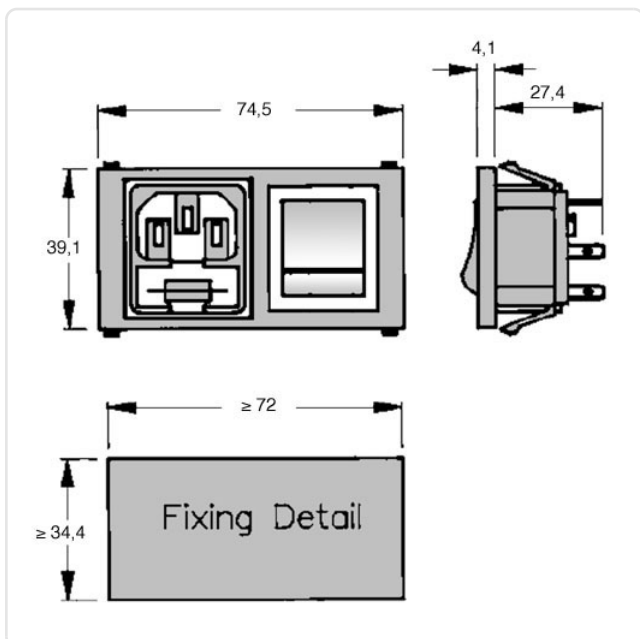


Image may be similar

Amperage [A]: 10
Color: Black
Connections: 6.3x0.8
Fuse Size [mm]: 5.0x20.0
Model: Plug, Snap-In Mounting
Weight: 44.6g
Conformities:



You can find all information on the web on our article detail page



Would you like individual advice?

We look forward to your email to products@ettinger.de.

Subject to change and errors.