

Article datasheet

Soldering tag $\varnothing 6.4 \times 12.0 \text{mm}$ Brass silver-plated 0.3mm thick

Article-No.: 019.05.061

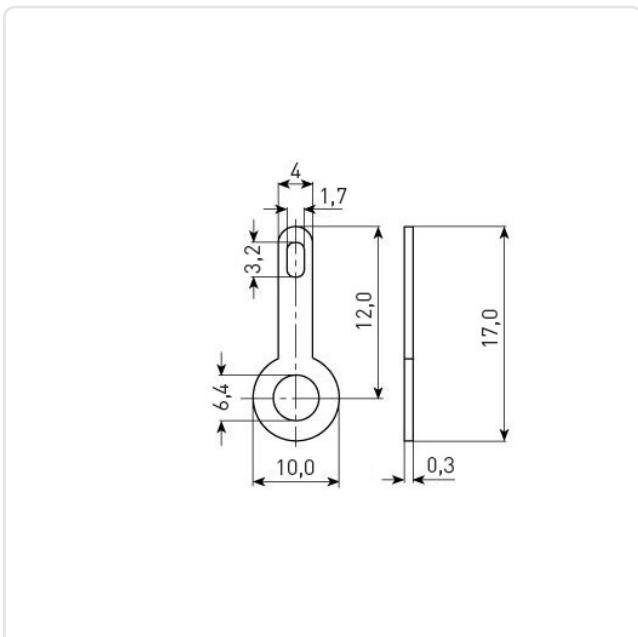


Image may be similar

Finish: Silver-Plated
Inner Diameter [mm]: 6.4
Length [mm]: 12
Material: Brass
Material Group: Brass
Outer Diameter [mm]: 10
Weight: 0.17g
Conformities:



You can find all
information on the web on
our article detail page



Would you like individual advice?

We look forward to your email to products@ettinger.de.

Subject to change and errors.