

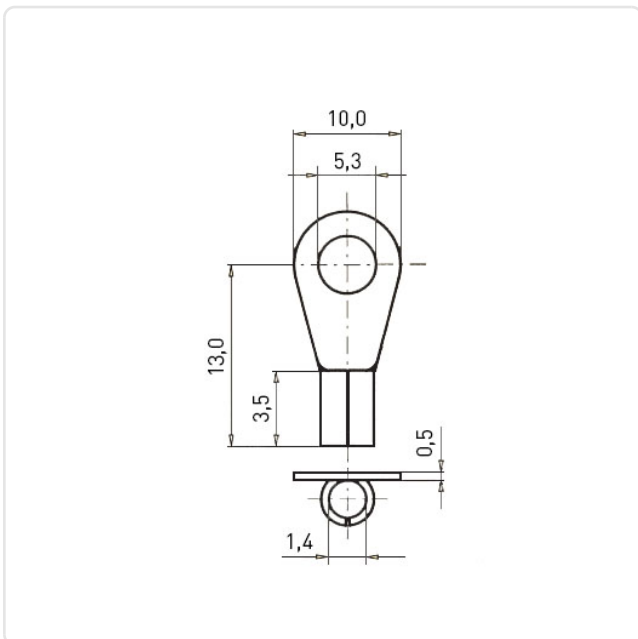
Article datasheet

Solder tag DIN 46211 A5x1,4 Brass tinned 0.5-1mm² AWG22-18

Article-No.: 018.01.151



Image may be similar



Inside Dia.D1 [mm]: 1.4
Material: Electrolytic Copper
Outer Diameter [mm]: 10
Wire Cross Section [mm²]: 0.5-1.0
Weight: 0.43g
Conformities:



You can find all
information on the web on
our article detail page

Would you like individual advice?

We look forward to your email to products@ettinger.de.

Subject to change and errors.