

Article datasheet

Contact Washer $\text{\O}5.1/10.2 \times 1.0$ White Galv. Spring Steel

Article-No.: 003.20.051

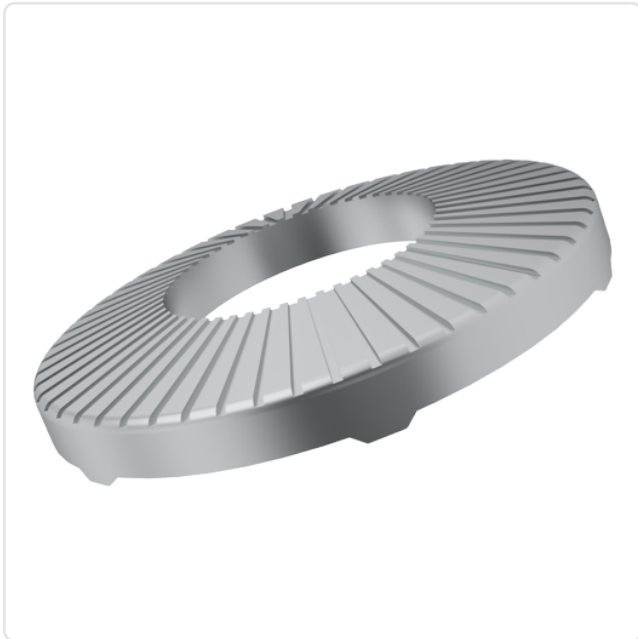
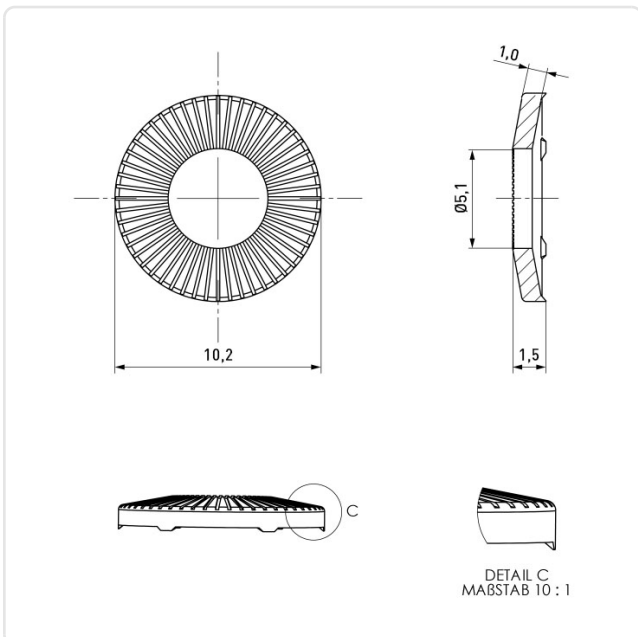


Image may be similar

Finish: Galvanized, White, 15–25 μm
For Thread Size: M5
Height [mm]: 1
Inner Diameter [mm]: 5.1
Material: Spring Steel
Material Group: Stahl
Outer Diameter [mm]: 10.2
Weight: 0.45g
Conformities:



You can find all information on the web on our article detail page



Would you like individual advice?

We look forward to your email to products@ettinger.de.

Subject to change and errors.