

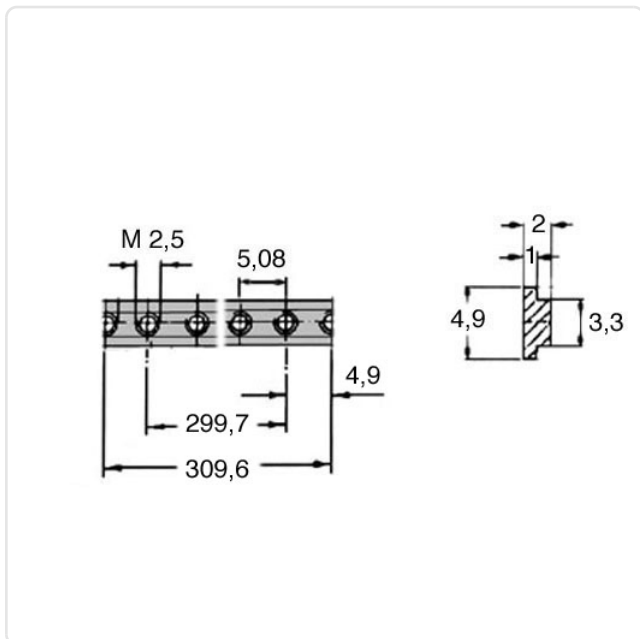
Article datasheet

Thread Rail Metric

Article-No.: 002.32.560



Image may be similar



Design:	4.93
Finish:	Galvanized, Blue, 5 µm, A2K
Height [mm]:	2
Length [mm]:	309.58
Material:	Steel
Material Group:	Steel
Thread 1 / Hole 1:	M2.5
Width [mm]:	4.9
hole distance / TE [mm]:	60
Weight:	16g
Conformities:	



You can find all
information on the web on
our article detail page

Would you like individual advice?

We look forward to your email to products@ettinger.de.

Subject to change and errors.