

Article datasheet

## Flat Tie Holder for 3.0mm 12.7x12.7mm ABS white

Article-No.: 072.59.029

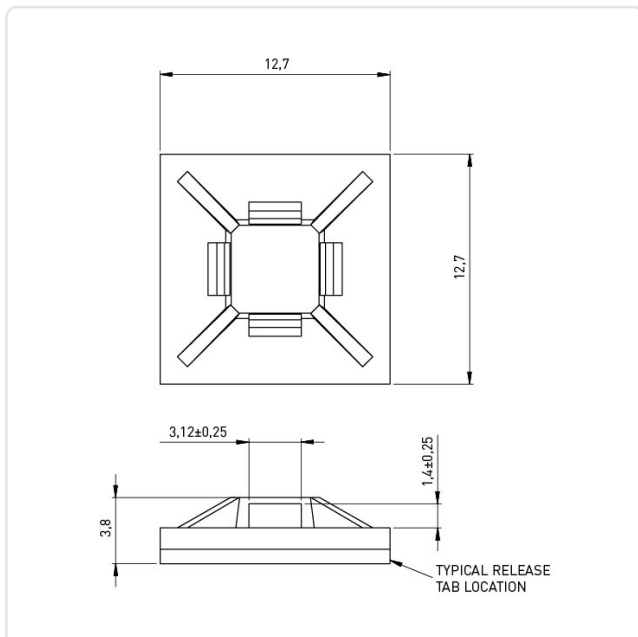
Manufacturer: Panduit

Manufacturer article-no.: ABM1M-A-M



Cable Tie Width max. [mm]:	3.0
Color:	White
Height [mm]:	4
Length [mm]:	12.7
Material:	ABS - Acrylonitrile Butadiene Styrene
Material Group:	Plastic
Model:	Fastening Plate, Self-Adhesive
Width [mm]:	12.7
Weight:	0.24g
Conformities:	<div style="display: flex; gap: 10px;"> <div style="border: 1px solid green; padding: 2px; font-size: 8px;">Reach COMPLIANT</div> <div style="border: 1px solid green; padding: 2px; font-size: 8px;">RoHS COMPLIANT</div> <div style="border: 1px solid green; padding: 2px; font-size: 8px;">SVHC COMPLIANT</div> </div>

Image may be similar



You can find all information on the web on our article detail page

Would you like individual advice?

We look forward to your email to [products@ettinger.de](mailto:products@ettinger.de).

Subject to change and errors.