

Article datasheet

Batteryholder for 2x AA cells Polyamid 6.0 UL94-V0

Article-No.: 015.32.113

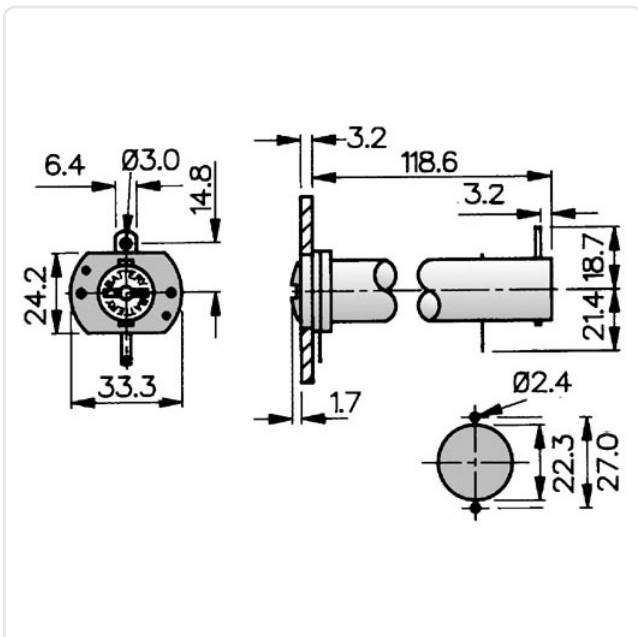


Image may be similar

Battery Type: AA-Mignon
Material: PA 6.0 25% GF
Material Group: Plastic
Model: Solder Tag Connection
No. Cells: 2
Weight: 29g
Conformities:



You can find all
information on the web on
our article detail page



Would you like individual advice?

We look forward to your email to products@ettinger.de.

Subject to change and errors.