

Article datasheet

Cable Gland PG13.5 with antikink clamping range 6-12mm PA grey

Article-No.: 014.20.088

Manufacturer: LAPP

Manufacturer article-no.: 53015630

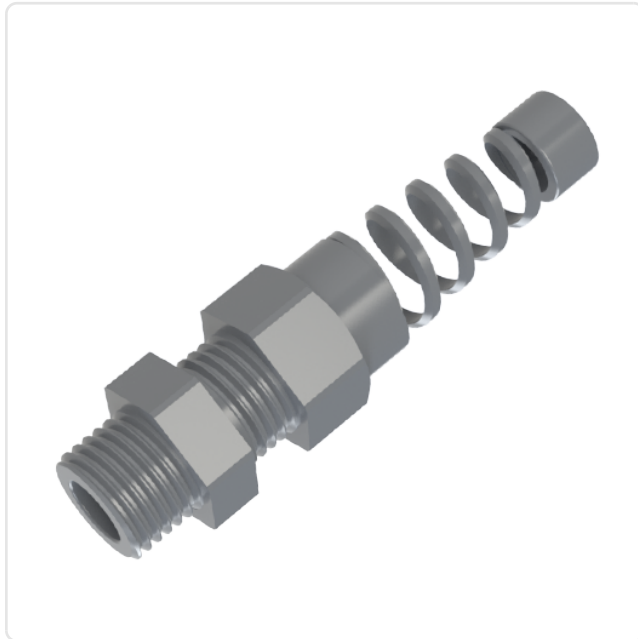


Image may be similar

AF / OD [mm]:	24
Color:	Gray
Material:	PA 6.0
Material Group:	Plastic
Model:	With Bend Protection
Mounting Hole [mm]:	21
Panel Thickness Range [mm]:	6.0-12.0
Protection Code:	IP68
Thread Size:	PG13.5
Weight:	19.02g
Conformities:	



You can find all information on the web on our article detail page

Would you like individual advice?

We look forward to your email to products@ettinger.de.

Subject to change and errors.

