

Article datasheet

Thread Insert M3 | 6.5 Plain Brass

Article-No.: 002.19.365

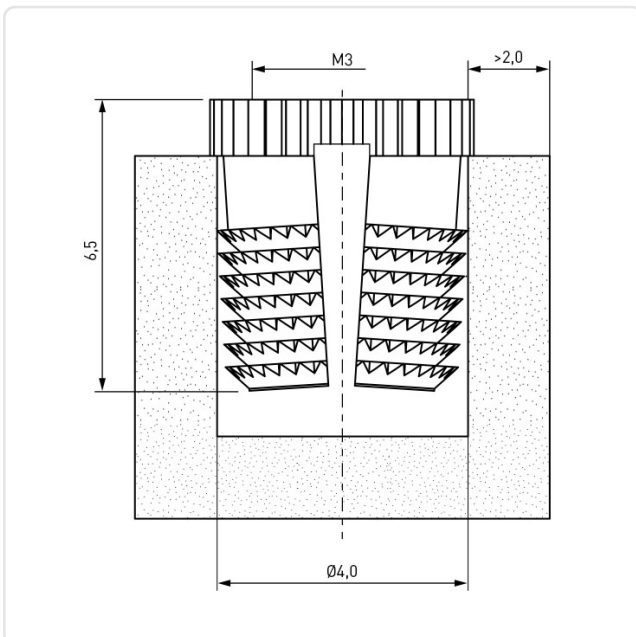


Image may be similar

Finish:	Plain
Length [mm]:	6.5
Material:	Brass
Minimum Edge Distance [mm]:	2.0
Panel Hole Ø [mm]:	4
Thread Size:	M3
Weight:	0.29g
Conformities:	



You can find all information on the web on our article detail page



Would you like individual advice?

We look forward to your email to products@ettinger.de.

Subject to change and errors.