

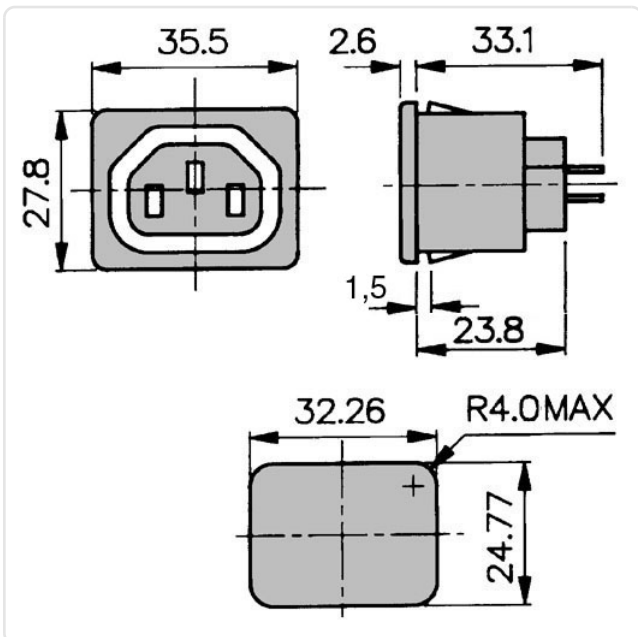
Article datasheet

IEC Power outlet 2+E Snap-in 1.5mm 6.3x0.8mm quick fit terminals

Article-No.: 039.60.360



Image may be similar



Amperage [A]: 10

Color: Black

Connections: 6.3x0.8

Model: Socket, Snap-In Mounting

Weight: 16g

Conformities:



You can find all information on the web on our article detail page

Would you like individual advice?

We look forward to your email to products@ettinger.de.

Subject to change and errors.